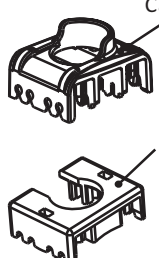
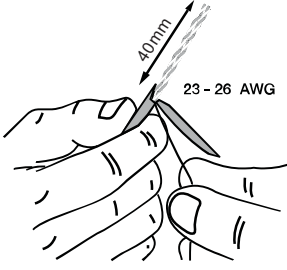


Cap for Toolless



Cap for KJ-TL & Punch Down



40mm
23 - 26 AWG

Legend

1	2	3	4	5	6	7	8
W-G	G	W-O	BL	W-BL	O	W-BR	BR

Designation T568A 8-Position jack pin/pair assignments

1	2	3	4	5	6	7	8
W-O	O	W-G	BL	W-BL	G	W-BR	BR


Designation T568B 8-Position jack pin/pair assignments

Toolless User Guide

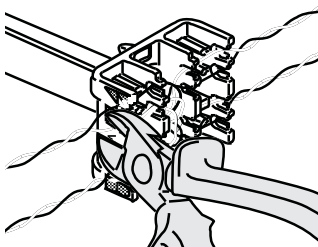
KJ-TL User Guide

Punch Down User Guide

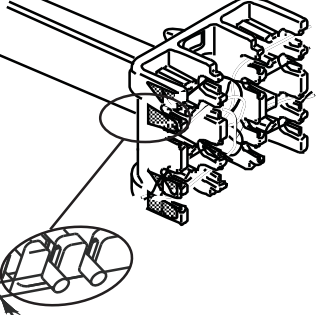
1. Cap for Toolless



2.

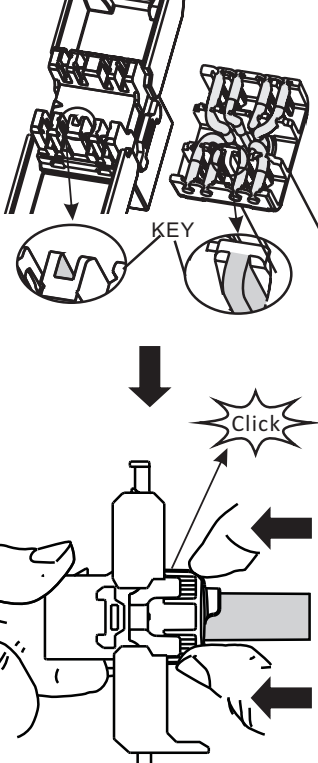


3.



0.2mm Max.

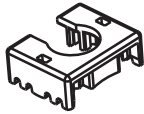
4.



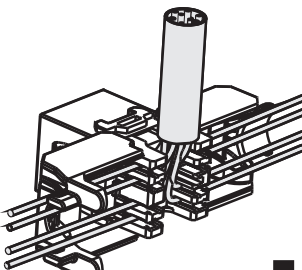
KEY

Click

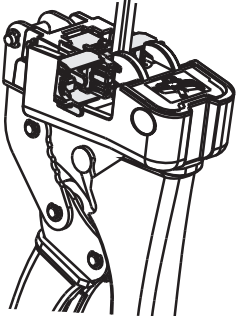
1. Cap for KJ-TL & Punch Down



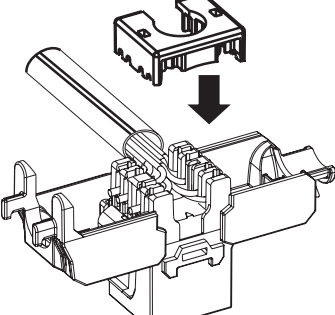
2.



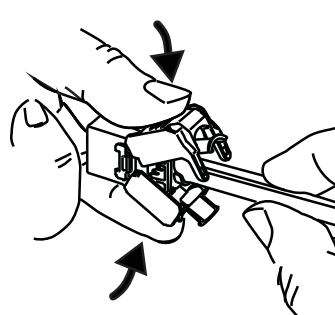
3.



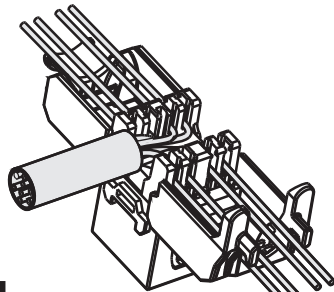
4.



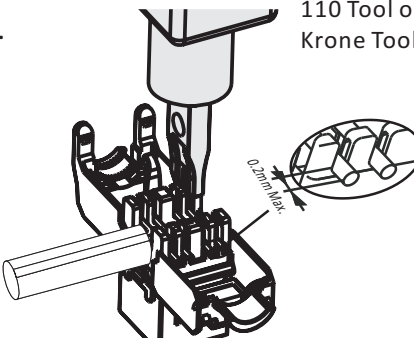
5.



2.



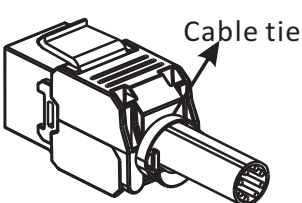
3.



110 Tool or Krone Tool

0.2mm Max.

6.



Cable tie

•The plug used have to comply with FCC Part 68 Subpart F rules and IEC 60603-7.